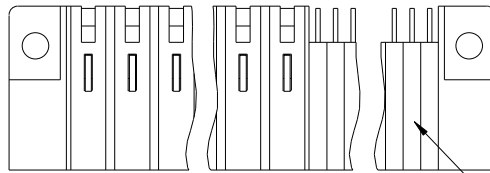


Tous droits strictement réservés. Reproduction ou communication à des tiers interdite sous quelque forme que ce soit sans autorisation écrite du propriétaire. Propriété de c.FCI. Droits de reproduction FCI.

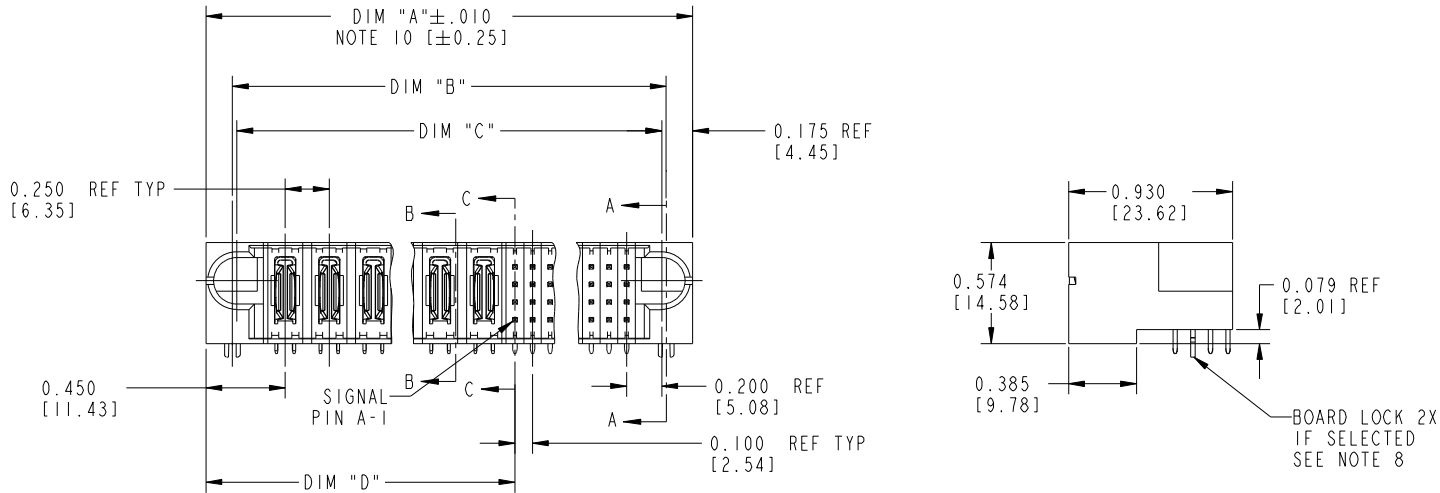


All rights strictly reserved. Reproduction or issue to third parties in any form whatever is not permitted without written authority from the proprietor. Property of FCI. Copyright FCI.

PRODUCT NUMBER
51722-ABBCCC00EF_..
SEE NOTE 1



SEE NOTE 9



mat'l code				tolerances unless otherwise specified		CUSTOMER		 www.fciconnect.com			
ltr	ecn no.	dr	date	linear	.XX±.01/.X±.3	COPY		 projection	title RIGHT ANGLE HEADER w/GUIDE PIN POWER / SIGNAL		
H	DG05-0123	SJ	05/24/05		.XXX±.005/.XX±.13	INCH/MM				product family	POWERBLADE
J	DG06-0011	CS	01/13/06	angles	.XXXX±.0020/.XXX±.051	scale		size	dwg no	sheet	1 of 3
K	DG06-0195	JMG	05/25/06		0°±2°	1:1		A	51722		
L	DG08-0239	JC	09/11/08	dr	D. BOGLE	05-18-99					
				enr	J. BROWN	08-23-98					
				chr	J. BROWN	05-18-99					
				appd	J. BROWN	05-18-99					
sheet index	revision sheet	L	L	L							
		1	2	3							

Pro/E

cage code 22526

Tous droits strictement réservés. Reproduction ou communication à des tiers interdite sous quelque forme que ce soit sans autorisation écrite du propriétaire. Propriété de c FCI. Droits de reproduction FCI.



All rights strictly reserved. Reproduction or issue to third parties in any form whatever is not permitted without written authority from the proprietor. Property of FCI. Copyright FCI.

PRODUCT NUMBER
51722-ABBCC00EF--
SEE NOTE 1

DIM	LENGTH FORMULAS (SEE NOTE 10)
DIM "A"	.250 [6.35] x BB + .100 [2.54] x (CCC/4) + .650 [16.51] (NOTE 10)
DIM "B"	.250 [6.35] x BB + .100 [2.54] x (CCC/4) + .350 [8.89]
DIM "C"	.250 [6.35] x BB + .100 [2.54] x (CCC/4) + .300 [7.62]
DIM "D"	.250 [6.35] x BB + .375 [9.53]
DIM "F"	.250 [6.35] x BB + .100 [2.54] x (CCC/4) + .680 [17.27]
DIM "G"	.250 [6.35] x BB + .225 [5.72]

CONNECTOR NOTES

1 PRODUCT NUMBER CODE:  
51722 - A BB CCC 00 E F LF

- NO THIS SUFFIX: 100u"/2.54um SnPb ON PCB INTERFACE
- ADD THIS SUFFIX: 78u"/2.00um Sn ON PCB INTERFACE
- RETENTION TO PCB (NOTE 8)
- TAIL OPTIONS (NOTE 7)
- ALWAYS '00' (ZERO, ZERO)(NOTE 6)
- NUMBER OF SIGNAL CONTACTS (NOTE 5)
- NUMBER OF LEFT POWER CONTACTS (NOTE 4)
- PLATING (NOTE 3)
- BASE NUMBER

- 2. HOUSING MATERIAL: GLASS FILLED V-0 HIGH TEMP THERMO PLASTIC.  
SIGNAL CONTACT MATERIAL: PHOS BRONZE  
POWER CONTACT MATERIAL: COPPER ALLOY
- 3. PLATING OPTION:  
1 = SEE PRINT I0064183 FOR PLATING SPEC OF 51722-1BBCC00EF; 51722-1BBCC00EFLF
- 4. LEFT END POWER CONTACTS, 01 TO 20 AVAILABLE.  
MAXIMUM OF 20 POWER CONTACTS PER CONNECTOR.
- 5. SIGNAL CONTACTS, 004 TO 148 AVAILABLE.
- 6. THIS PART IS NOT AVAILABLE WITH RIGHT SIDE POWER CONTACTS.
- 7. TAIL OPTIONS:  
A = .135 [3.43] SOLDER TO BOARD

- 8. RETENTION TO PCB OPTIONS:  
A = BOARD LOCK (REQUIRES .098 + .002, -.001 [2.49 +0.05, -0.03] THRU HOLE IN PCB).  
MOUNTING FOOT THICKNESS 0.220 [5.59]  
B = .150 [3.81] THRU HOLE (REQUIRES .158±.003 [4.01±08] THRU HOLE IN PCB).  
MOUNTING FOOT THICKNESS 0.160 [4.06]
- 9. MANUFACTURE'S NAME, P/N, AND DATE CODE TO APPEAR ON THIS SURFACE.
- 10. THE MAXIMUM OVERALL LENGTH (DIM A) OF A PART IS 8.00 [203.2]
- 11. PRODUCT SPECIFICATION GS-12-149
- 12. REFERENCE 51730 FOR SELECT LOAD/FMLB FOR WORKSHEET

PCB NOTES:

- 13. ALL DIMENSIONS ARE BASIC UNLESS OTHERWISE SPECIFIED.
- 14. ALL THROUGH HOLES ARE LOCATED WITH A TRUE POSITION OF .004[0.10]
- 15. ALL HOLE DIAMETERS ARE FINISHED HOLE SIZE.
- 16.  $\varnothing 0.0453 \pm .001$  [1.151 ±0.02] DRILLED HOLES PLATED WITH 0.0003 [0.007] MIN SnPb OVER 0.001 [1.03] TO .003 [0.08] PLATING TO ACHIEVE A .040±.003 [1.02±08] HOLE.
- 17. A SYMBOL WILL BE NEXT TO ANY DIMENSION, VIEW, OR NOTE WHICH HAS BEEN MODIFIED WITH THE CURRENT DRAWING REVISION.

mat'l code				tolerances unless otherwise specified		CUSTOMER			
ltr	ecn no.	dr	date	linear	.XX±.01/0.X±0.3	COPY		www.ficconnect.com	
L					.XXX±.005/0.XX±0.13	projection	title RIGHT ANGLE HEADER w/GUIDE PIN POWER / SIGNAL		
				angles	.XXX±.0005/0.XXX±.051				
				dr	0°±2°	INCH/MM		product family POWERBLADE	
				enrg	D. BOGLE 05-18-99	scale		code 213	
				chr	J. BROWN 05-18-99	1:1		sheet 2 of 3	
				appd	J. BROWN 05-18-99	A		size dwg no 51722	
sheet index	revision sheet							cage code 22526	

1 | 2

Pro/E

3 |

cage code 22526

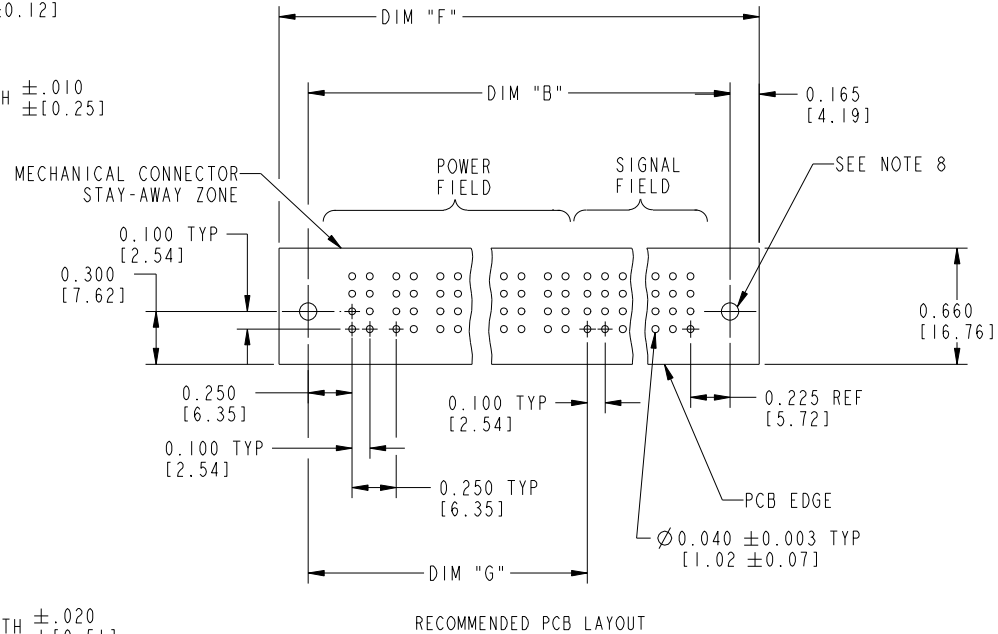
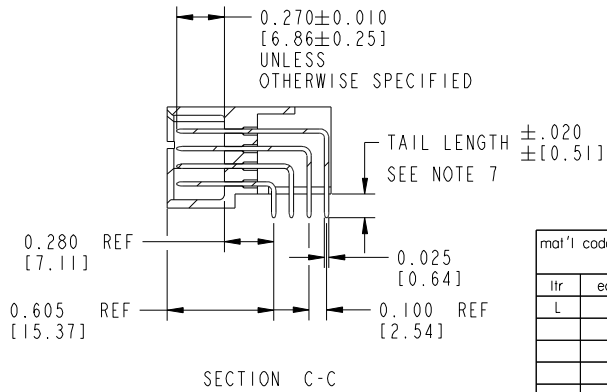
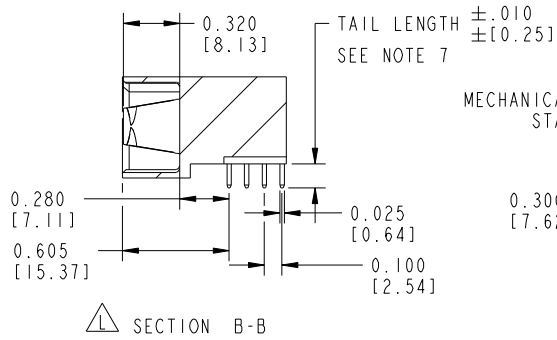
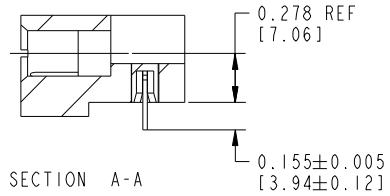
4

Tous droits strictement réservés. Reproduction ou communication à des tiers interdite sous quelque forme que ce soit sans autorisation écrite du propriétaire. Propriété de c.FCI. Droits de reproduction FCI.



All rights strictly reserved. Reproduction or issue to third parties in any form whatever is not permitted without written authority from the proprietor. Property of FCI. Copyright FCI.

PRODUCT NUMBER  
51722-ABBCCC00EF\_\_  
Note ①



mat'l code				tolerances unless otherwise specified		CUSTOMER		FCI	
litr	ecn no.	dr	date	linear	.XX±.01/.X±.3	COPY		www.fciconnect.com	
L				angles	.XXX±.005/.XX±.13	projection		title	
				dr	.XXX±.0020/.XXX±.051	INCH/MM		RIGHT ANGLE HEADER w/GUIDE PIN POWER / SIGNAL	
				enr	0°±2°	scale		product family POWERBLADE	
				chr		1:1		code 213	
				appd		A		size dwg no 51722	
sheet index	revision sheet							sheet 3 of 3	

cage code 22526

Pro/E